



CLEMCO®

...the performance system.

TECHNICAL DATA SHEET

Note: For safe, efficient blasting, read and follow the owner's manual and seek training for everyone who will use this equipment.

Description

The Clemco Beacon blast light is a powerful 860-lumen LED light source to illuminate the work surface. Four assemblies are available: 12-volt DC and 120-volt AC models with either 50 ft or 100 ft of power cord.

Purpose

The Clemco Beacon blast light provides illumination of the work area to improve the visibility of the blast surface for the blast operator and enhance productivity. It is ideal for poorly-lit areas or where natural light is absent.

Requirements for Operation

120-volt AC or 12-volt DC power source.

Description of Operation

The light module mounts either to the blast nozzle holder or to the blast hose, secured with cable ties. The rugged, cut resistant 18-gauge cable is tied along the length of the blast hose. A quick-change assembly allows easy lens replacement when abrasive rebound frosts the durable Pyrex® lens.

Advantages

- Illuminated target surface improves blast operator productivity
- Extremely bright focused LED beam provides 6000k color temperature (similar to daylight on a sunny day)
- Unit is compact, lightweight, and rugged—perfect for brutal abrasive blast environments
- Mounts to nozzle holder or blast hose
- Quick-change twist-lock lens retainer allows easy removal and replacement of the Pyrex® lens

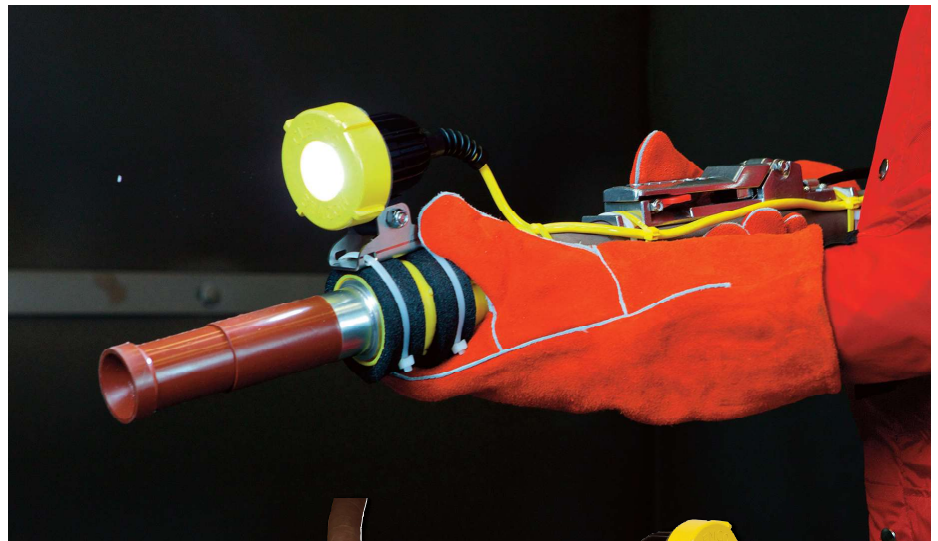
CLEMCO® BEACON LED Blast Light

Stock Nos.

27740 — 27743



120-volt AC blast light
(complete cable not shown)



Beacon LED blast Light



12-volt DC blast light
(complete cable not shown)

Features

- Beam capable of penetrating up to 280 feet
- Ultra-compact size at just 2 7/8"OD x 4"H x 3"D
- Encased in durable, lightweight aluminum housing with abrasive-resistant nylon lens adaptor
- Integrated pulse width modulation controller provides protection against voltage spikes and maximizes the light's duty cycle in terms of heat management
- Cree XLamp MC-E® LED is shock- and vibration-resistant
- Easily replaceable Pyrex® lens

Specifications

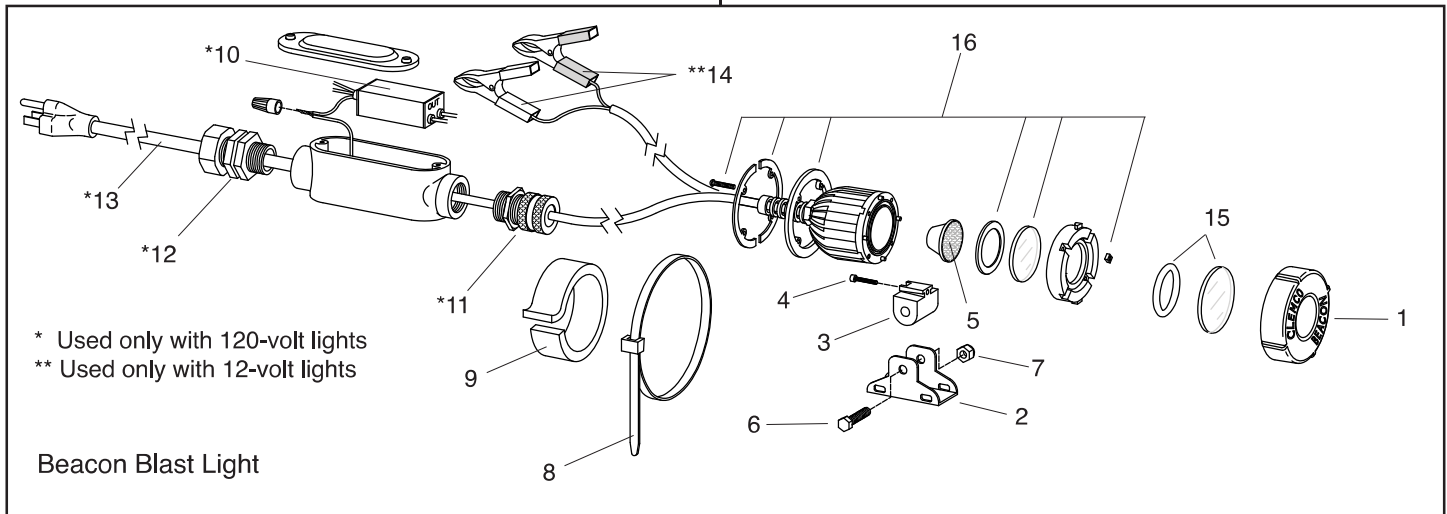
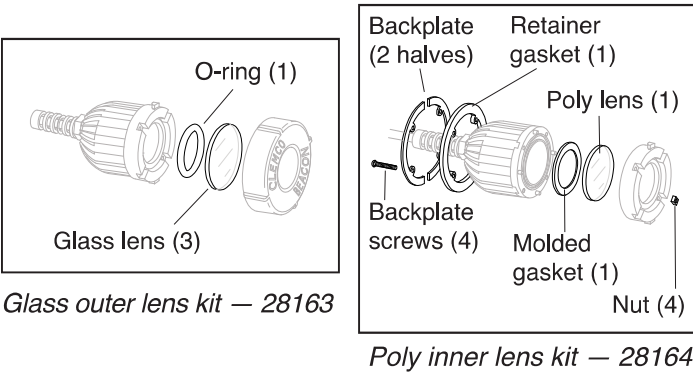
Lamp Type: Cree XLamp MC-E® LED
 Lumens (raw): 860
 Dimensions: 2 7/8"OD x 4"H x 3"D
 Watts : 10
 LED Drive % : 90%
 Voltage : 12-volt DC or 120-volt AC
 Beam spread: 20-degrees spot

Amps: 1 amp
 LED Light Color: 6000k
 LED Life Expectancy: 50,000 hours
 Optics Efficiency: 90%
 Materials: aluminum housing, polycarbonate inner lens,
 borosilicate outer lens
 Weight/light module: 0.8 lbs

Ordering Information

Description	Stock No.	Wt.
12-V DC blast light		
with 50-ft cable	27740	2.85 lbs
with 100-ft cable	27741	4.3 lbs
120-V AC blast light		
with 50-ft cable	27742	3.95 lbs
with 100-ft cable	27743	5.4 lbs

Item	Description	Stock No.	Wt.
1.	Retainer, outer lens.....	27748	<.5
2.	Bracket, mounting.....	27751	<.5
3.	Mount, light	28161	<.5
4.	Screw, light mount.....	28162	<.5
5.	Diffuser	28160	<.5
6.	Screw, 1/4-NC x 1.5" hex head cap	03055	<.5
7.	Nut, 1/4-NC lock	03112	<.5
8.	Ties, 14.5" long, nylon (pack of 2).....	02395	<.5
9.	Gasket, 5/32" x 3/4" adhesive backed, by foot, specify length	00187	<.5
10.	*Driver, 120-V to 12-V LED.....	27758	<.5
11.	*Strain relief, 3/4-NPT x 1/4" cable.....	27756	<.5
12.	*Strain relief, 3/4-NPT x 3/8" to 5/8" cable	27757	<.5
13.	*Cord, 4-ft 120-V power	27766	<.5
14.	**Clamp set, 12 volt battery	27763	<.5
15.	Service kit, glass outer lens [o-ring (1), glass lens (3)]	28163	<.5
16.	Service kit, poly inner lens [backplate screws (4), backplate (2 halves), retainer gasket (1), molded gasket (1), poly lens (1), backplate nuts (4)]	28164	<.5



Related Clemco Literature

Operation Manual.....	27765
Blast Off 2	
English	09294
Spanish.....	23398
Abrasive Safety Practices	
English	22090
Spanish	22931

Distributed by:

ISO 9001 certified. Clemco is committed to continuous product improvement. Specifications are subject to change without notice.

© 2014 Clemco Industries Corp. • One Cable Car Drive • Washington, MO 63090 • Phone (636) 239-4300 • Fax (800) 726-7559